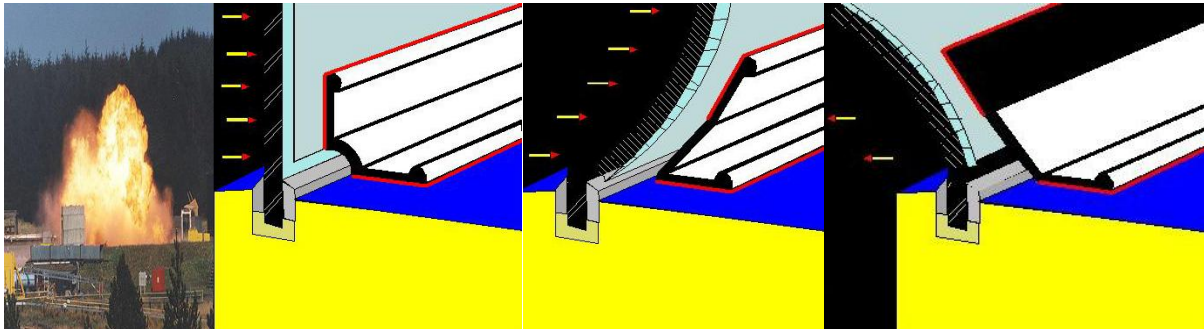


Flexible Edge Retention System

Designed to absorb and dissipate the impact load providing enhanced protection for the occupants of a building and potentially the continuance of business!

In the event of high-velocity blast attack, flying shards of glass can have a devastating effect causing injury and even death for a building's occupants

When windows, doors and overhead glazing fail, the blast overpressure from an attack will enter the building taking shards of glass with it but also again leaving your building and business open to the elements creating further havoc and destruction

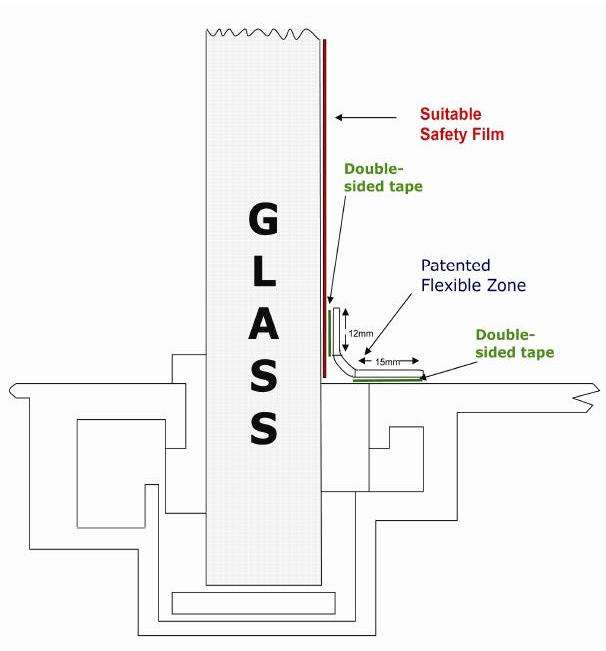


Tested and proven to provide a high degree of protection in explosion range trials

Also tested to the Glass and Glazing Federation's Recommendation 5.18.3 for Adhesive backed Polymeric Film Applied to Glass in the Overhead Position for Containment of Glass in the Event of Failure:

Again utilising a very high-bond adhesive system ensures enhanced protection

Available in coils for ease of use and application making it ideal for adapting to virtually any type of window frame profile



For further information on these and other Film and Anchoring Systems or to request Technical product specification data or samples, contact our experienced team today

Solartek Films Ltd

42b High Street, Ware, Hertfordshire SG12 9BY

Tel: 08000 15 18 15 Fax: 01920 464488 Email: enquiries@solartekfilms.com

PROTECTIVE WINDOW FILMS EDGE RETENTION SYSTEMS

Choice, quality & reliability from the people with extensive product and specialist industry knowledge - Safety & security films, solar energy control films, visible glare reduction films, privacy films, visual & decorative window films - Specialist anchoring attachment edge retention systems